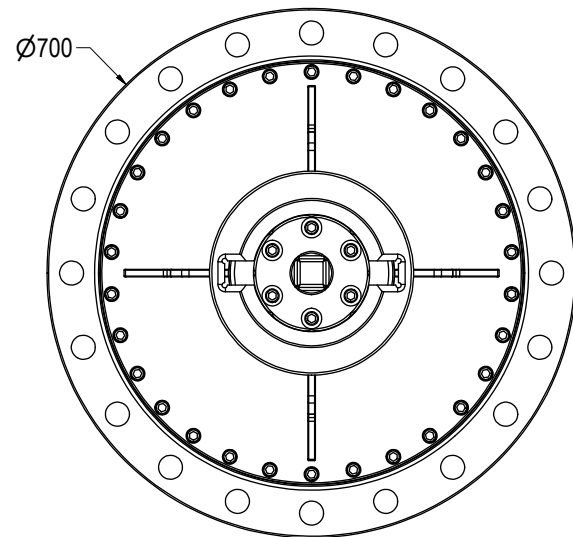


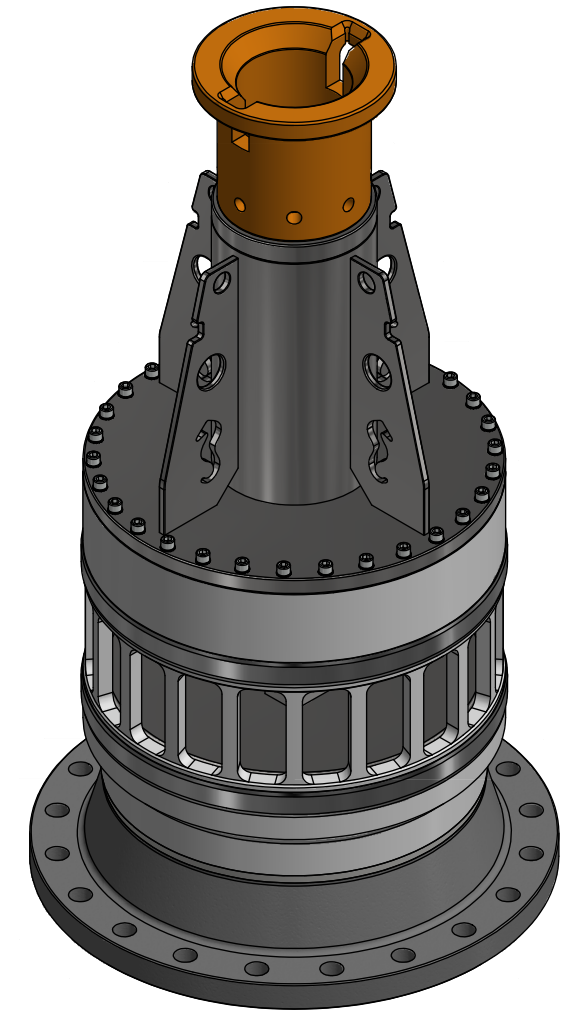
Flow Direction



NOTE: 1  
DESIGN CODE:  
N/A

NOTE: 2  
TECHNICAL CLASSIFICATION:  
Article Type: 007-Valves  
Main Group: 7.01. One Way Valves  
Intermediate Group: 7.39.00. Generic  
Sub Group: 7.39.160.0. Generic

NOTE: 3  
INTERFACE INFORMATION:  
Pressure Rating Bar: 15  
Material: N/A  
Weight: 451,4 kg  
Volume: 61,13 dm<sup>3</sup>  
Surface Area: 71182 cm<sup>2</sup>  
Hydraulic: N/A  
Mechanical: ANSI B16.B 20" Class 150  
Electrical: N/A  
Com. & Protocol: N/A



### Operational Modes:

- 1- Closed
- 2- Open
- 3- Check Valve Function

FOR INFORMATION ONLY

Rev.	Date	Reason for issue	Revision change	Made	Chk'd	Appr.
03	9.1.2017	2-IFT (Issued For Tender)		WTJ	LGH	WTJ
02	9.12.2016	2-IFT (Issued for Tender)		WTJ	LGH	N/A
01	3.5.2016	2-IFT (Issued For Tender)		JTS	N/A	N/A



Dwg Scale: NTS	
Dwg Proj:	
Dwg Format: A3	

Drawing title: 20 Inch Suction Anchor Vent Valve	
Drawing number: BA8505	
	Rev: 03